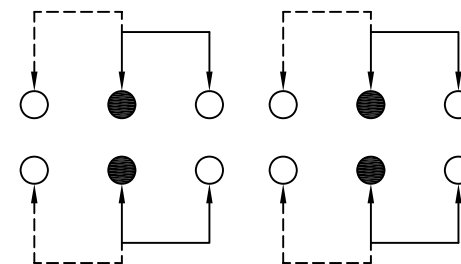
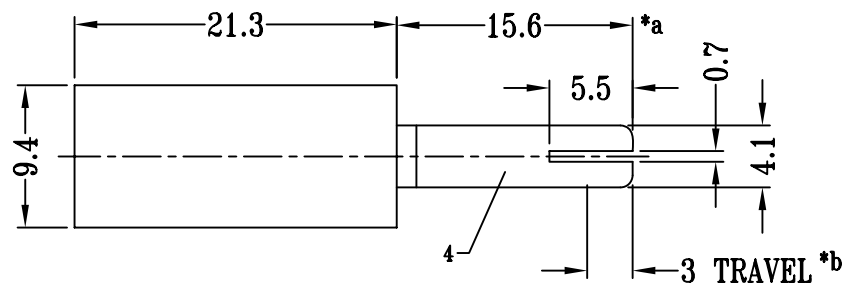
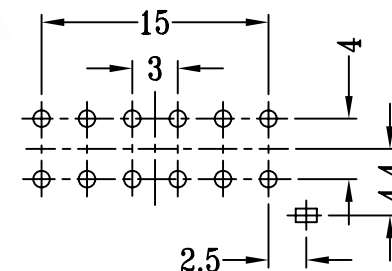
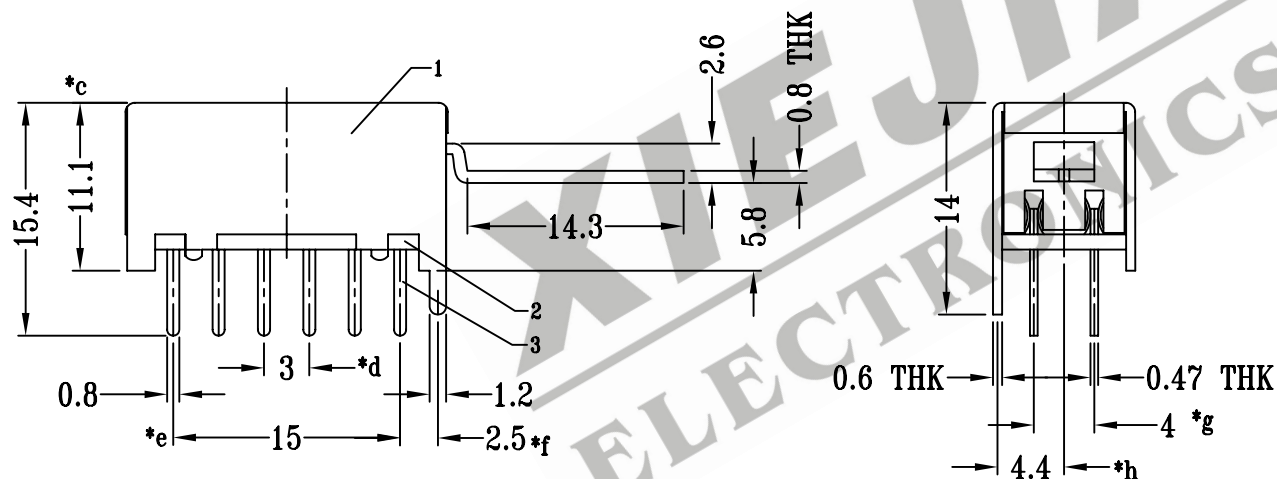


CAD FILE:



SCHEMATIC (NON-SHORTING)



P.C.B LAYOUT

注:带"*"表示关键尺寸(8个)

NO.	PARTS	MATERIALS	Q'TY	FINISH	TOLERANCE UNLESS SPECIFIED	SHENZHEN XIEJIA ELECTRONICS CO.,LTD.				
8						ISSUE	DATE	DESCRIPTIONS OF REVISION		APPD.
7	SPRING	STEEL WIRE	1	TEMPER						
6	CONTACT CLIP	PBS STRIP	4	Ag PLATED	WITHIN : 1.5±0.1mm OVER : 1.5±0.2mm					
5	SLIDER	POM	1	BLACK						
4	STEEL KNOB	STEEL STRIP	1	Ni PLATED	TITLE : PUSH SWITCH MODEL: PS-42F02	UNIT : mm		DRWG NO.: XJ-DR-PS42F02-00		
3	TERMINAL	BRASS STRIP	12	Ag PLATED OVER Ni PLATED		SCALE: 2:1		DWN.	ZHOUYU	2002-7-28
2	BASE	PHENOLIC RESIN	1	NATURAL	ALL MATERIALS MUST BE COMPLIANT TO ROHS			CHK'D	FANGYING	2002-7-28
1	FRAME	STEEL STRIP	1	Ni PLATED				APPD.	KANGXINAN	2002-7-28